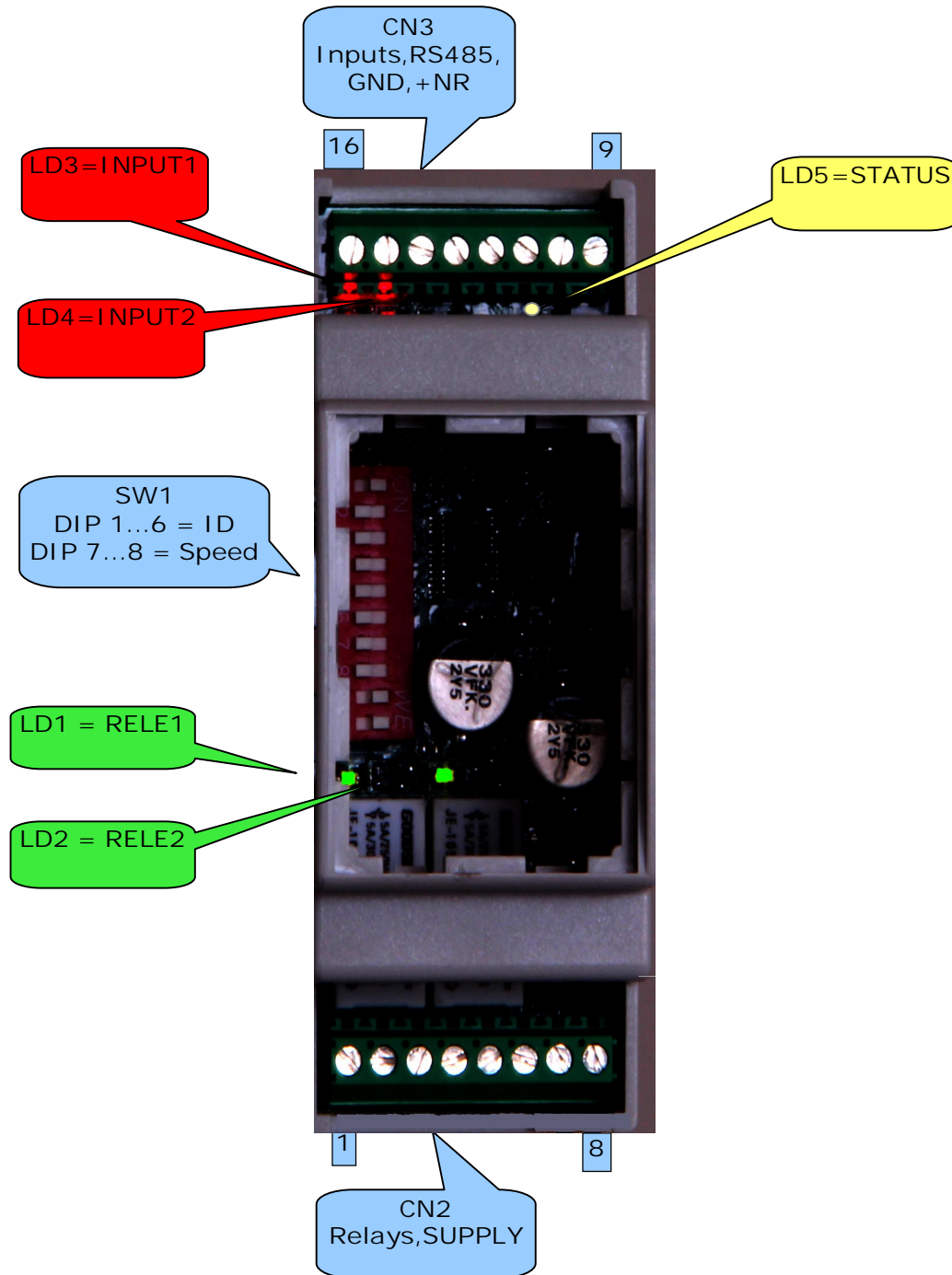


# SBox-2IO

Rev. 2.0.1





Progettazione e Realizzazione Apparecchiature Elettroniche

"LD1" RED LED:

Relay1 is on

"LD2" RED LED:

Relay2 is on

"LD3" GREEN LED:

Input1 is on connected to GND

"LD4" GREEN LED:

Input2 is on connected to GND

"LD5" YELLOW LED:

Sbox-2IO status LED

CN2:

pin-1	RELAY_1 NO	(MAX 5A@100V)
pin-2	RELAY_1 C	(MAX 5A@100V)
pin-3	RELAY_1 NC	(MAX 5A@100V)
pin-4	RELAY_2 NO	(MAX 5A@100V)
pin-5	RELAY_2 C	(MAX 5A@100V)
pin-6	RELAY_2 NC	(MAX 5A@100V)
pin-7,8	Supply	(8..28Vdc/8..20VAC 5VA max)

CN3:

pin-9	+OUTPUT (supply for external devices MAX 1 Amp)
pin-10	GND
pin-11	GND
pin-12	GND
pin-13	RS485_B (COM4 RS485)
pin-14	RS485_A (COM4 RS485)
pin-15	INPUT_2 (close to GND to activate)
pin-16	INPUT_1 (close to GND to activate)

Technical characteristics:

- *CPU* Microprocessor 16bits 24MHz
- *SERIAL PORT* 1xRS485
- *OUTPUTS* 2xRELAY 5A@100V
- *INPUTS* 2xINPUT NPN
- *SUPPLY* 8..28Vdc/8..20VAC 15VA max

**TECHNODRIVE Srl** -Via E.Ferrari, 7 20010 Arluno (MI) Tel. 02/903.77.887

Sede Legale : Via E.Ferrari, 7 20010 Arluno (MI)

Cod.Fisc. e P IVA 13384950153 R.E.A. n. 1645258 Capitale Sociale 10.000 Euro int. vers.



Progettazione e Realizzazione Apparecchiature Elettroniche

- EXT.DIMENSION DIN(EN60715) 2 modules 36x91x62mm

SW1 Dip-Switch only at Reset:

Dip-8	Dip-7	Dip-6	Dip-5	Dip-4	Dip-3	Dip-2	Dip-1	ID,Speed
off	off	off	off	off	off	off	off	1,19200

Dip-6	Dip-5	Dip-4	Dip-3	Dip-2	Dip-1	ID
off	off	off	off	off	off	ID=1
off	off	off	off	off	on	ID=1
off	off	off	off	on	off	ID=2
off	off	off	off	on	on	ID=3
on	on	on	on	on	on	ID=63

Dip-8	Dip-7	Speed
off	off	2400
off	on	9600
on	off	19200
on	on	38400

Dip-9	
off	-
on	-

Dip-10	RS485 close resistor
off	open
on	3300hm from A&B